

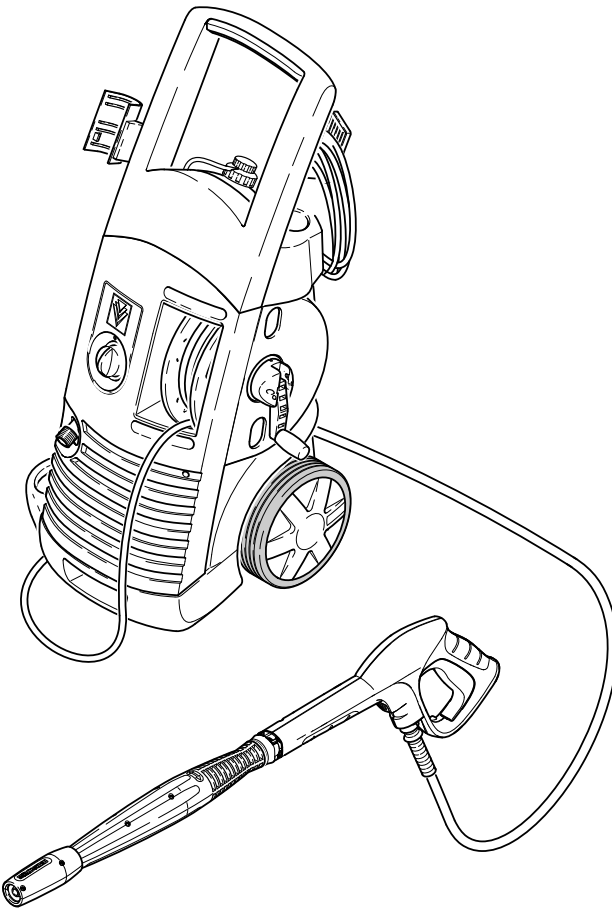


register and win!
www.kaercher.com



KÄRCHER®

K 6.85 M



Operating Instructions

Before first use of the unit read these operating instructions and act in accordance with them.



5.962-612.0 (02/08)

Contents

General information	2
Safety instructions	3
Operation	4
Maintenance and care	8
Troubleshooting	9
Customer Service	10
Technical specifications	10
Assembly	12
Spare Parts	15

General information

Dear Customer,



Please read and comply with these instructions prior to the initial operation of your appliance. Retain these operating instructions for future reference or for subsequent possessors.

Hazard levels

Danger

Immediate danger that can cause severe injury or even death.

Warning

Possible hazardous situation that could lead to severe injury or even death.

Caution

Possible hazardous situation that could lead to mild injury to persons or damage to property.

Proper Use

This high-pressure cleaner is designed for domestic use only:

- to clean machines, vehicles, buildings, tools, facades, terraces, garden equipment etc. using a high-pressure water jet (and detergents if required).
- with accessories, replacement parts and detergents approved by Kärcher. Observe the instructions provided with these detergents.

Environmental protection



The packaging material can be recycled. Please do not place the packaging into the ordinary refuse for disposal, but arrange for the proper recycling.



Old appliances contain valuable materials that can be recycled. Please arrange for the proper recycling of old appliances. Please dispose your old appliances using appropriate collection systems

Warranty

The warranty terms published by our competent sales company are applicable in each country. We will repair potential failures of your appliance within the warranty period free of charge, provided that such failure is caused by faulty material or defects in fabrication. In the event of a warranty claim please contact your dealer or the nearest authorized Customer Service center. Please submit the proof of purchase. (See address on the reverse)

Safety Devices

Caution

Safety devices protect the user and must not be modified or bypassed.

Power switch

The appliance switch prevents unintentional operation of the appliance.

Lock trigger gun

This lock locks the lever of the trigger gun and prevents the inadvertent start of the appliance.

Safety instructions

⚠ Danger

- Never touch the mains plug and the socket with wet hands.
- The appliance must not be used if the power cord or important parts of the appliance, e.g. high-pressure hoses, trigger gun or safety devices are damaged.
- Check the power cord with mains plug for damage before every use. If the power cord is damaged, please arrange immediately for the exchange by an authorized customer service or a skilled electrician.
- Check the high-pressure hose for damage before every use. Please arrange for the immediate exchange of a damaged high-pressure hose.
- The appliance may not be used in areas where a risk of explosion is present.
- If the appliance is used in hazardous areas (e.g. filling stations) the corresponding safety provisions must be observed.
- High-pressure jets can be dangerous if improperly used. The jet must not be directed at persons, animals, live electrical equipment or at the appliance itself.
- The high-pressure jet must not be directed at other persons or directed by the user at him/herself to clean clothing or footwear.
- Never use the appliance to clean objects containing hazardous substances (e.g. asbestos).
- Vehicle tyres or tyre valves are susceptible to damage from the high-pressure jet and may burst. The first indication of this is a discolouration of the tyre. Damaged vehicle tyres/tyre valves are highly dangerous. Ensure that a distance of at least 30 cm is observed when cleaning with the jet!
- Never draw in fluids containing solvents or undiluted acids and solvents! This includes petrol, paint thinner and heating



oil. The spray mist thus generated is highly inflammable, explosive and poisonous. Do not use acetone, undiluted acids and solvents as they are aggressive towards the materials from which the appliance is made.

⚠ Warning

- The mains plug and the coupling of an extension cable must be watertight and must never lay in the water.
- Unsuitable extension cables can be hazardous. Only use extension cables outdoors which have been approved for this purpose and labelled with a sufficient cable cross-section:
1 - 10 m: 1.5 mm²; 10 - 30 m: 2.5 mm²
- Always fully unroll electrical cables from the cable drum.
- High-pressure hoses, fixtures and couplings are important for the safety of the appliance. Only use high-pressure hoses, fixtures and couplings recommended by the manufacturer.
- This device is not intended for use by persons (including children) with reduced physical, sensory or mental abilities or lacking experience and/or knowledge, unless they are supervised by a person responsible for their safety or are instructed by these persons on the use of the device. Children should be supervised, to ensure that they do not play with the device.
- The operator must use the appliance correctly. When working with the appliance, he must consider the local conditions and pay due care and attention to other persons, in particular children, who are nearby.
- Do not use the appliance when there are other persons around unless they are also wearing safety equipment.
- Wear protective clothing and safety goggles to protect against splash back containing water or dirt.

Caution

- *Observe a distance of at least 30 cm when using the jet to clean painted surfaces to avoid damaging paintwork.*
- *Never leave the appliance unattended when it is in operation.*
- *Make sure that the power cable or extension cables are not damaged by running over, pinching, dragging or similar. Protect the power cable from heat, oil, and sharp edges.*
- *All current-conducting parts in the working area must be protected against jet water.*
- *The appliance may only be connected to an electrical supply which has been installed in accordance with IEC 60364.*
- *The appliance may only be connected to alternating current. The voltage must correspond with the type plate on the appliance.*
- *The maximum tolerable mains impedance at the electrical contact point (see Technical Data) must not be exceeded.*
- *For safety reasons, we recommend that you operate the appliance only via a earth-leakage circuit breaker (max. 30 mA).*
- *Cleaning operations which produce oily waste water, e.g. engine washes, underbody washes, may only be carried out using washing stations equipped with an oil separator.*
- *This appliance was designed to be used with detergents which are supplied or recommended by the manufacturer. The use of other detergents or chemicals may compromise the safety of the appliance.*

Operation

Description of the Appliance

When unpacking the product, make sure that no accessories are missing and that none of the package contents have been damaged. If you detect any transport damages please contact your dealer.

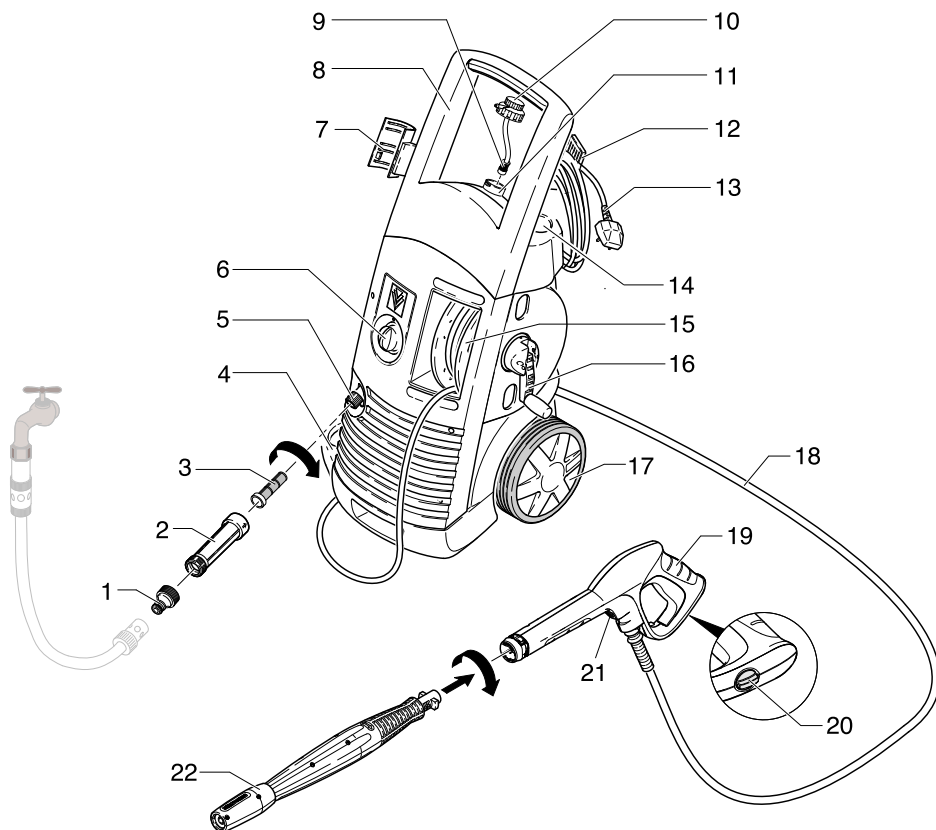
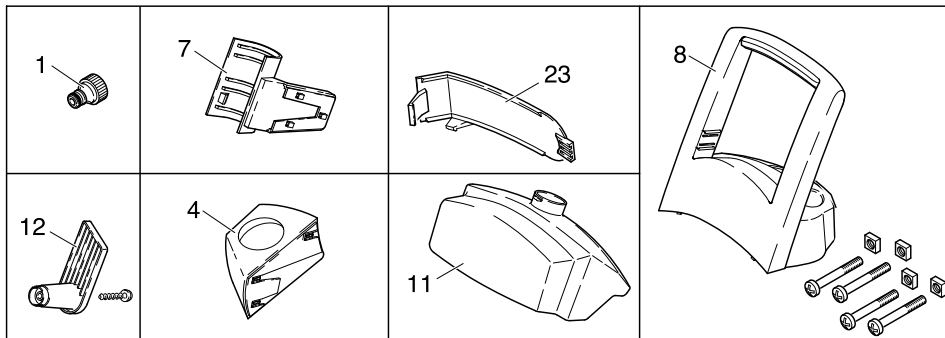
Illustrations on Page 5

- 1 Coupling element for water connection
- 2 Waterfilter
- 3 Fine filter in the water connection
- 4 Storage for accessories
- 5 Water connection
- 6 Appliance switch "0/OFF" / „I/ON“
- 7 Storage for trigger gun
- 8 Transport handle
- 9 Detergent suction hose (with filter)
- 10 Dosage regulator for detergent
- 11 Detergent Tank
- 12 Storage for mains connection cable
- 13 Mains cable with mains plug
- 14 Storage for spray lance
- 15 Hose drum
- 16 hand crank for hose drum
- 17 Bearing wheel
- 18 High pressure hose
- 19 Trigger gun
- 20 Lock trigger gun
- 21 Key to detach the high-pressure hose from the trigger gun
- 22 Spray lance with pressure regulation (Vario Power)
- 23 Storage for accessories

Special accessories

Special accessories expand the possibilities of using your appliance. Please contact your KÄRCHER dealer for further information.

Assembly see page 12 - 13



Before Startup

Mount loose parts delivered with appliance prior to start-up.

Assemble appliance as shown on page 12 and 13.

- Illustration **1**
Insert holder for trigger gun.
- Illustration **2**
Insert the transport handle and screw in.
- Illustration **3**
Lock the detergent tank in place on the appliance.
Close the detergent tank with the lid.
- Illustration **4**
Attach the accessories holder.
- Illustration **5**
Push the high pressure hose into the trigger gun until it locks audibly.
Note: Make sure the connection nipple is aligned correctly.
Check the secure connection by pulling on the high-pressure hose.

Water supply

According to the applicable regulations, the appliance must never be used on the drinking water supply without a system separator. Use a suitable system separator manufactured by KÄRCHER; or, as an alternative, a system separator as per EN 12729 Type BA.



Note: Impurities in the water can damage the high-pressure pump and accessories. For protection, the use of the KÄRCHER water filter (optional accessory, order no. 4.730-059) is recommended.

Water supply from mains

Observe regulations of water supplier. For connection values, see type plate/technical data.

- Use a fibre-reinforced water hose (not included) with a standard coupling. (Minimum diameter 1/2 inch (13 mm), minimum length 7.5 m).
- Screw the water filter on the water connection of the device.
- Screw the delivered coupling part on the water filter.
- Push the water supply hose onto the coupling unit, then connect it to the tap.

Drawing in water from open reservoirs

This high-pressure cleaner is suited to work with the KÄRCHER suction hose with backflow valve (Optional accessory, order no. 4.440-238) to draw in surface water, e.g. from water butts or ponds (see specifications for max. suction height).

- Fill the KÄRCHER suction hose with backflow valve with water, screw to water supply and hang into the water butt.
- Remove air from appliance before operation.

Switch on the appliance without mounted spray lance and run it until the water discharging from the trigger gun is free of bubbles. Switch off appliance and connect spray lance.

Start up

Caution

Use the high pressure cleaner only when you have mounted the water filter.

Never operate the high-pressure cleaner when the tap is turned off as dry running will damage the high-pressure pump.

- Unwind the high pressure hose from the hose drum.
- Push the spray lance into the trigger gun and fasten it by turning it through 90°.
- Completely open the water tap.
- Insert the mains plug into the socket.
- Turn on the appliance "I/ON".

Operation

⚠ Danger

The trigger gun is subjected to a recoil force when the water jet is discharged. Make sure that you have a firm footing and are also holding the trigger gun and spray lance firmly.

- Illustration **6** (see page 13)
Unlock the lever on the trigger gun.
- Pull on the lever of the trigger gun; the device will switch on.

Note: Release the lever of the trigger gun; the device will switch off again. High pressure remains in the system.

Spray lance with pressure regulation

Carrying out the most common cleaning tasks. The work pressure can be stagelessly regulated between "Min" and "Max".

- Release the lever on the trigger gun.
- Turn the spray lance to the desired position.

Spray lance with dirt blaster

For particularly dirty items or areas.

Not suitable for use with detergents.

Working with detergent

We recommend the KÄRCHER cleaning and care program that will match the respective cleaning requirements. Please seek consultation or request information on the subject.

- Fill the detergent solution in the detergent tank (observe dosage instructions on the packaging of the detergent).
- Adjust the suction volume of the detergent solution by means of the dosage regulator for detergents.
 - Medium quantity: Central position
 - Large quantity: "+" position
 - Small quantity: "-" position
- Use spray lance with pressure regulation (Vario Power).
- Turn the spray lance to "Mix" position.
Note: This will mix the detergent with the water stream.

Recommended cleaning method

- Spray the detergent sparingly on the dry surface and allow it to react, but not to dry.
- Spray off loosened dirt with the high-pressure ray.

Interrupting operation

- Release the lever on the trigger gun.
- Illustration **7** (see page 13)
Lock the lever on the trigger gun.
- During longer breaks (more than 5 minutes), also turn the appliance off using the "0/OFF" switch.
- Insert the trigger gun in its holder.

Finish operation

Caution

Only separate the high-pressure hose from the trigger gun or the appliance while there is no pressure in the system.

- After operation with detergent: Fill the detergent tank with clear water, turn the spray pipe with pressure regulator to the position "Mix", switch the appliance on for about 1 minute and rinse with clear water.
- Release the lever on the trigger gun.
- Turn off the appliance "0/OFF".
- Turn off tap.
- Detach the appliance from the water supply.
- Press the lever on the trigger gun to release any remaining pressure in the system.
- Illustration 7 (see page 13)
Lock the lever on the trigger gun.
- Pull out the mains plug.
- Roll up the power cord and loop it e.g. round the handle.
- Roll the high pressure hose on to the hose drum: Pull out the hose drum handle, turn it clockwise then retract the handle.
- Insert the trigger gun in its holder.

Transport

Caution

Empty the detergent tank before transporting in horizontal position.

Maintenance and care

⚠ Danger

Turn off the appliance and remove the mains plug prior to any care and maintenance work.

Maintenance

The appliance is maintenance-free.

Storage

Prior to longer periods of storage, e.g. in the winter:

- Completely drain all water from the appliance: Switch the appliance on with detached high-pressure hose and detached water supply (max. 1 minute) and wait, until no more water exits at the high-pressure connection. Turn off the appliance.
- Remove filter from suction hose for detergent and clean under running water.
- Pull out the fine filter in water connection using flat-nose pliers and clean with running water.

Frost protection

Caution

Protect the appliance and its accessories against frost.

The appliance and its accessories can get destroyed through frost if there are any water residues in them. To avoid damage to them:

- Store the appliance and the entire accessories in a frost-safe room.

Spare parts

Use only original KÄRCHER spare parts. You will find a list of spare parts at the end of these operating instructions.

Troubleshooting

You can rectify minor faults yourself with the help of the following overview. If in doubt, please consult the authorized customer service.

Danger

Turn off the appliance and remove the mains plug prior to any care and maintenance work.

Repair works may only be performed by the authorized customer service.

Appliance is not running

- Check whether the voltage indicated on the type plate corresponds to the voltage of the mains supply.
- Check the mains connection cable for damages.

Pressure does not build up in the appliance

- Check setting at the spray lance.
- Remove air from appliance before operation.
Switch on the appliance without mounted spray lance and run it until the water discharging from the trigger gun is free of bubbles. Switch off appliance and connect spray lance.
- Check the water supply.
- Pull out the fine filter in water connection using flat-nose pliers and clean with running water.

Appliance does not start, motor hums

Cause: Voltage reduction due to weak mains supply or when using an extension cable.

- When switching on, first pull the lever of the trigger gun and then switch the appliance switch to "I/ON".

Strong pressure fluctuations

- Clean high-pressure nozzle: Remove dirt and debris from the nozzle bore, using a needle and rinse through with water from the front.
- Check water flow quantity.

Appliance is leaking

- Slight leakage from the appliance pump is normal. If the leakage increases contact the authorized customer service.

No detergent infeed

- Use spray lance with pressure regulation (Vario Power).
Turn the spray lance to "Mix" position.
- Check the settings at the detergent dosing regulator.
- Clean the detergent suction hose filter.
- Check the detergent suction hose for kinks.

Customer Service

Australia

Kärcher Pty. Ltd.
40 Koornang Road
Scoresby, Victoria 3179

1800 675 714 (Free Call)
www.karcher.com.au

Technical specifications

Power connection

Voltage	230-240 V 1~50 Hz
Connected load	2,2 kW
Mains fuse (slow-blow)	16 A
Maximum allowed net impedance	0,388 Ohm + j0,243 Ohm
Protective class	I
Protection class	IP X5

Water connection

Max. feed temperature	60 °C
Min. feed volume	11 l/min
Max. feed pressure	0,6 MPa
Max. Suction height	0,5 m

Performance data

Working pressure	13 MPa
Max. permissible pressure	15 MPa
Water flow rate	8,2 l/min
Detergent flow rate	0-0,2 l/min
Recoil force of trigger gun	21 N
Hand-arm vibration (ISO 5349)	0,8 m/s ²
Sound pressure level L _{pA} (EN60704-1)	73 dB(A)
Sound power level L _{WA} (2000/14/EG)	92 dB(A)

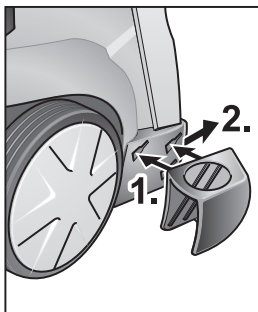
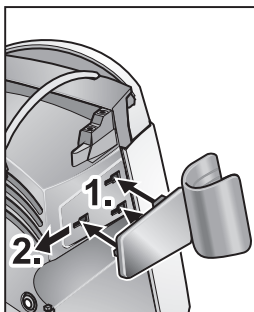
Dimensions

Length	400 mm
Width	395 mm
Height	925 mm
Weight	19 kg

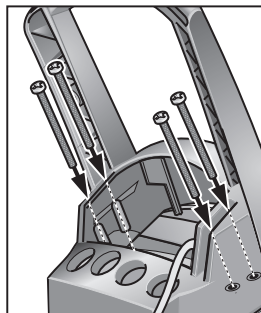
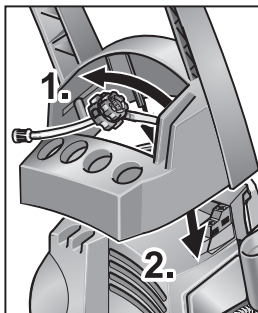
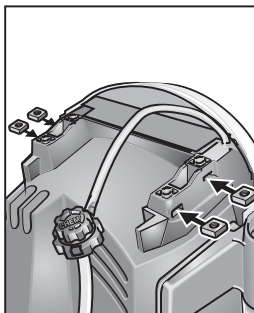
Subject to technical modifications!

Assembly

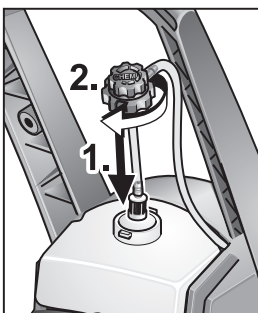
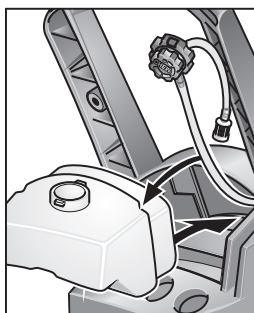
1



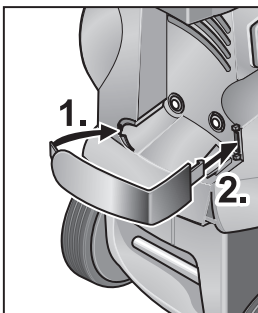
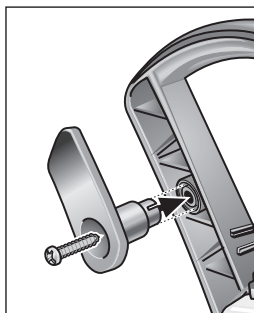
2



3

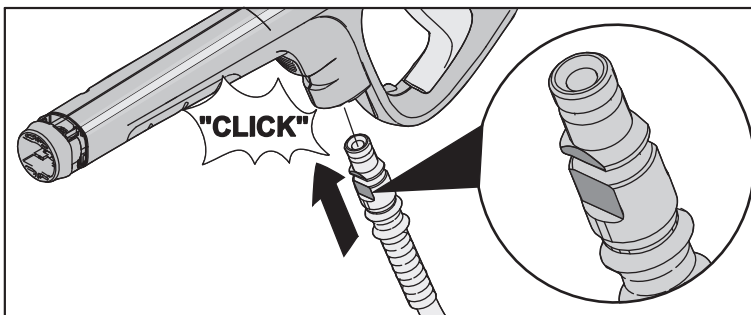


4

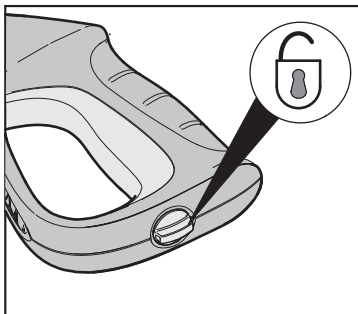


Assembly

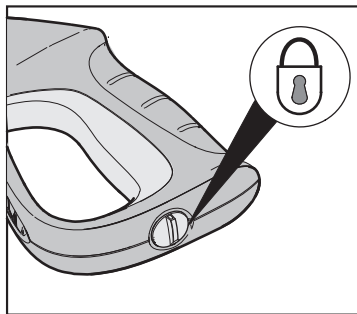
5



6

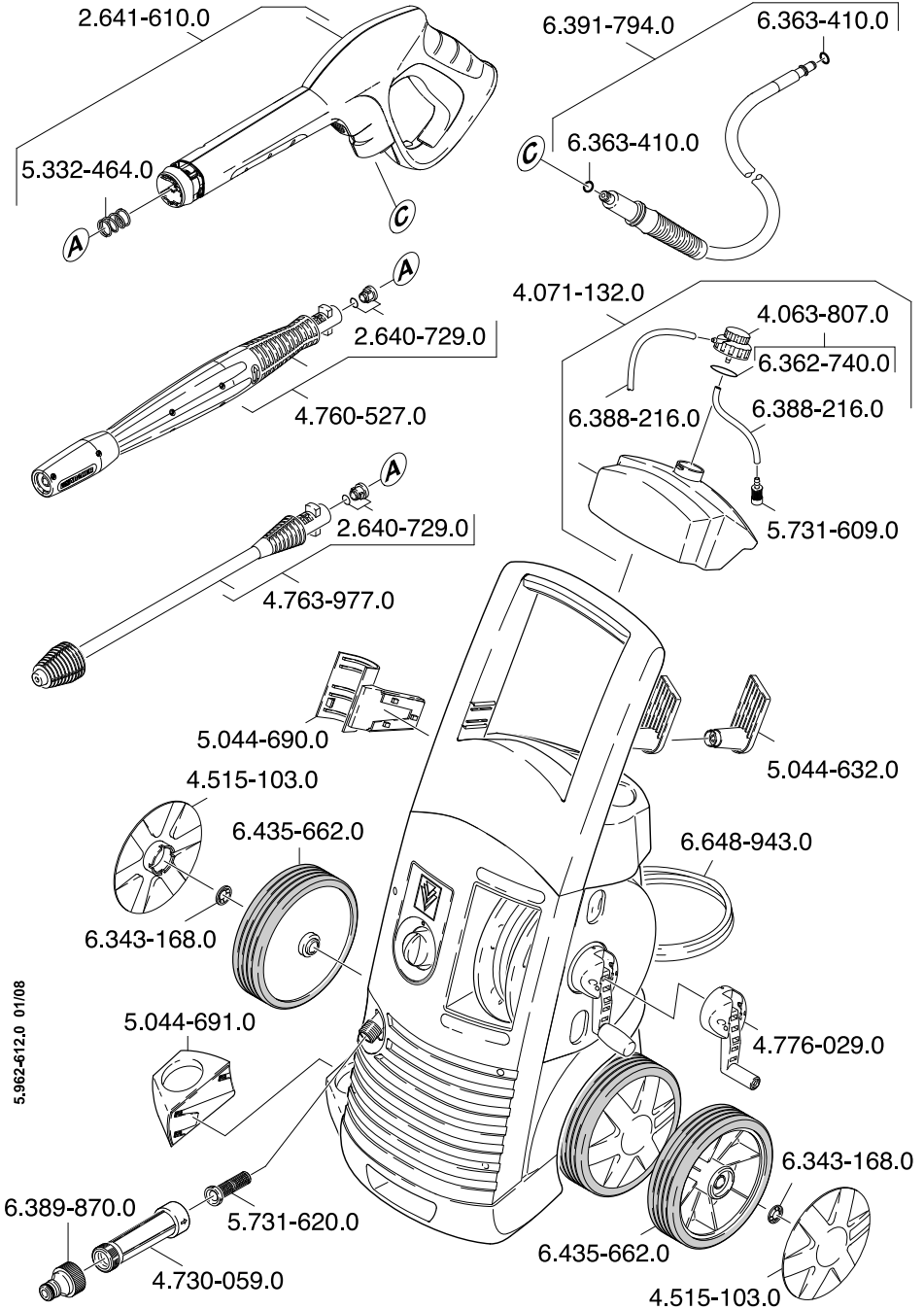


7



Notes

Spare Parts



5.962-612.0 01/08



www.karcher.com.au